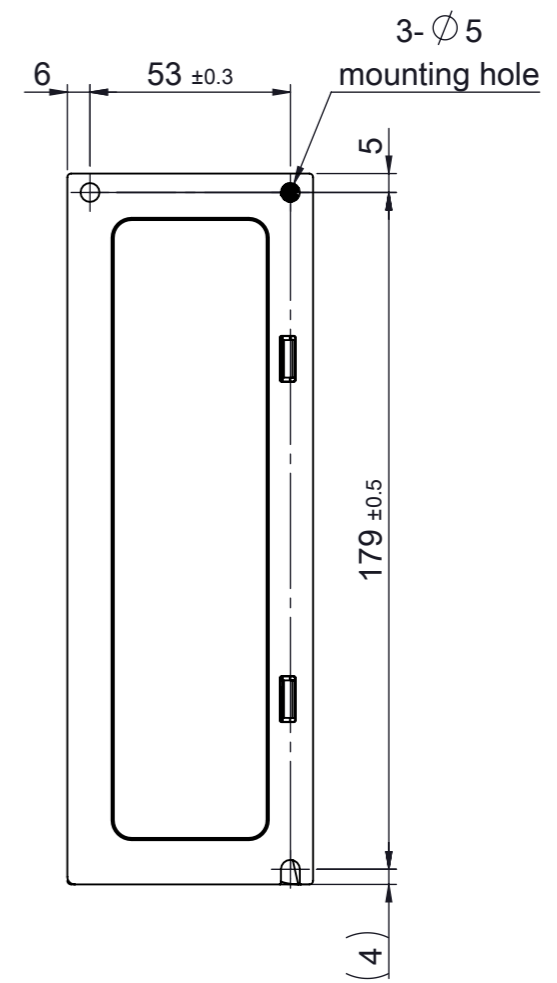
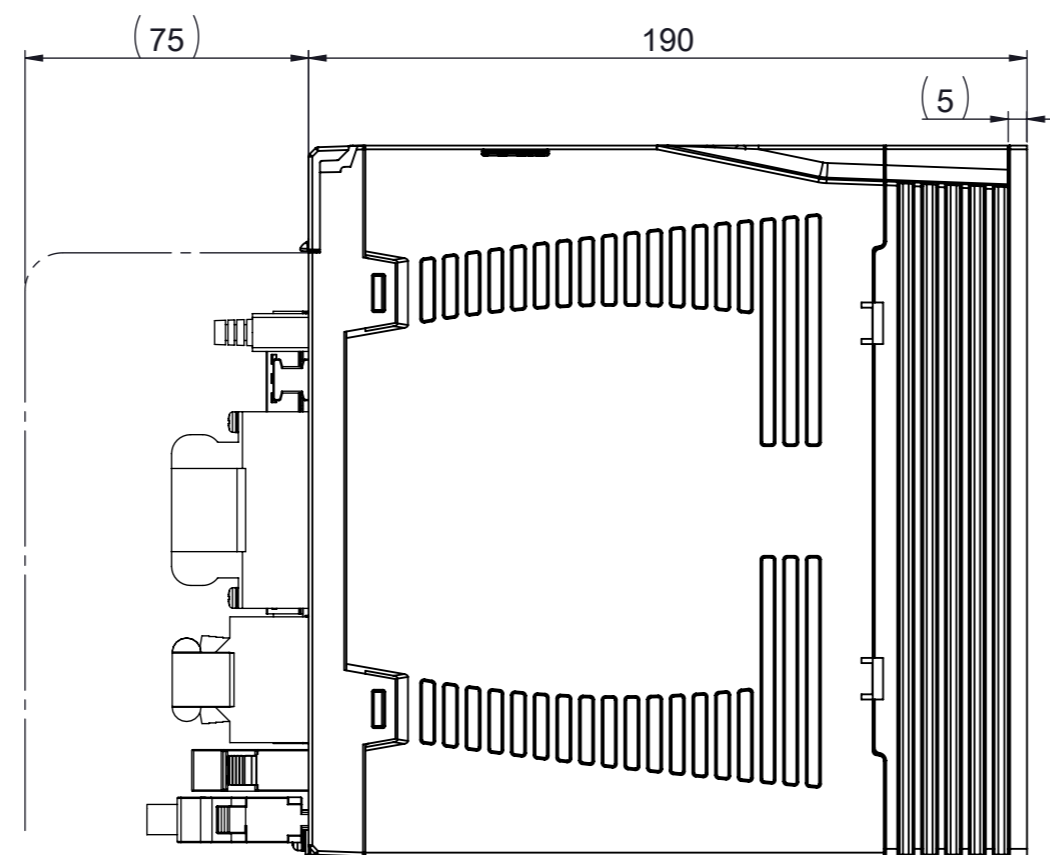


2- M4
ground terminals



Unit: mm